



**SAY GOODBYE TO
BROKEN AND MOLDY
SILICONE SEALS.**

BETTEUPSTAND
THE HYGIENIC WALL CONNECTION

THE HYGIENIC SOLUTION FOR BATHS AND SHOWER TRAYS.

BETTEUPSTAND is the hygienic interface between the wall and bath/shower tray. Silicone free – Moldy and broken silicone joints are a thing of the past. With **BETTEUPSTAND**, the intersection between wall and bath/shower tray remains permanently waterproof and maintenance free. On top of this, we give you a 30 year guarantee.

The principle:

The upstand is a 30 mm high enamelled upturn of the bath/shower tray edge. On installation, this upturn extends under the tiles by a depth of 10 mm. This guarantees a hygienic finish to the wall. A seal is made from using a membrane which protects against damage through moisture long term.

A summary of the advantages

- Silicone-free installation
- Hygienic
- Easy to clean
- Long-lasting solution
- Maintenance free
- Protection against water damage
- 30 year guarantee

Cleaning the **BETTEUPSTAND**:
A moist sponge is sufficient.

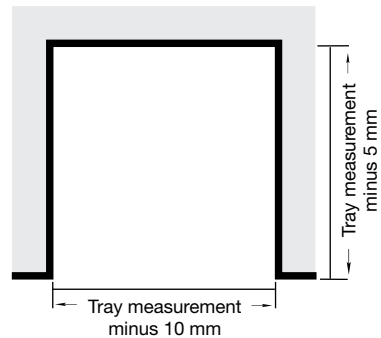


BETTEUPSTAND – INSTALLED QUICKLY AND SECURELY

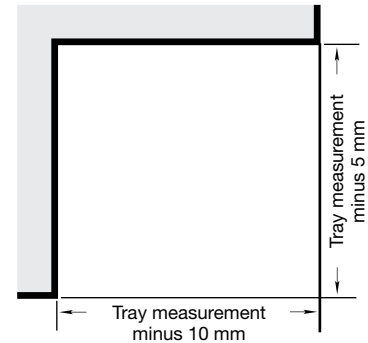
With a few steps, **BETTEUPSTAND** can be easily and simply installed. It is crucial that the corresponding recesses are made in the wall, even in the planning stage.

Fitting instructions

Niche installation



Corner installation



The measurements follow the plastered raw state.

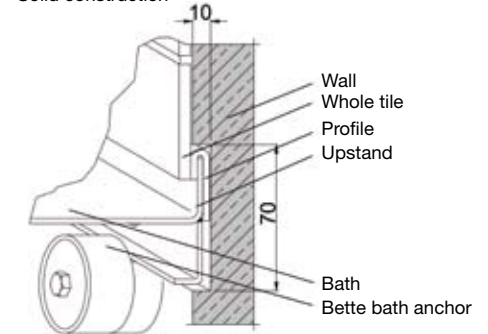
Note: The depth of the niche is measured without taking into account the tile thickness. If the shower tray in the entrance area is to be flush with the tiles, the tile thickness incl. tile adhesive has to be deducted from the tray measurement as well.

Installation situation for solid structures

Either the area near to the upstands is not plastered or subsequently, a gap approx. 1 cm deep and 7 cm high is cut. This way, the upstands will fit flush with the wall surface.



Solid construction

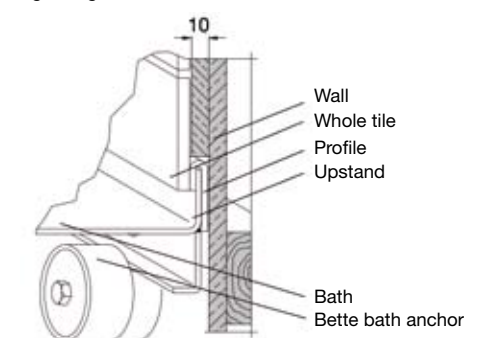


Installation situation for lightweight constructions

The lightweight panels are doubled up, both above and next to the bath or shower tray. This way, a recess is made into which the bath or shower tray can be placed.



Lightweight construction



Completion

The bath or shower tray is positioned into the recess and fastened. Following installation, the **BETTEUPSTAND** extends under the tiles by approx. 10 mm and as such, forms a clean and long-lasting waterproof intersection.



BETTEUPSTAND – ORDER EASILY AND SIMPLY

In order to simplify the ordering of baths and shower trays with the **BETTEUPSTAND**, a unique number is given for each individual upstand option. Please state the corresponding upstand number for each model.

Note: Many rectangular baths with dimensions up to 180 x 80 cm can be equipped with the upstands. Shower trays with a depth of 3,5 cm can be supplied with upstands for sizes up to 100 x 100 cm, shower trays with a depth of 6,5 cm are available with upstands for sizes up to 120 x 120 cm.

Baths with waste at the foot end



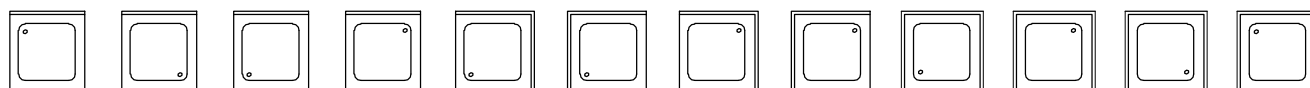
Z01 Z02 Z03 Z04 Z05 Z06 Z07 Z08 Z09 Z10

Baths with centre waste



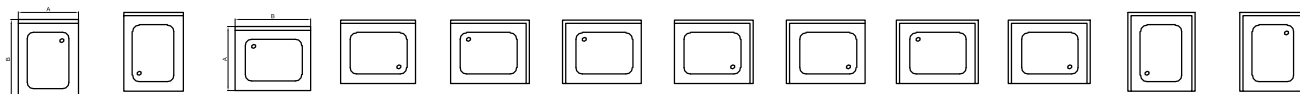
Z11 Z12 Z13 Z14 Z15 Z16 Z17 Z18 Z19 Z20

Square shower trays with dimension < 1000 mm.



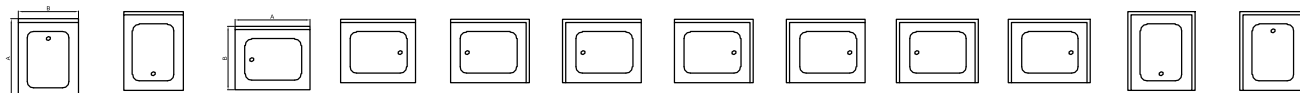
Z65 Z66 Z67 Z68 Z69 Z70 Z71 Z72 Z73 Z74 Z75 Z76

Rectangular shower trays with dimension < 1000 mm.



Z41 Z42 Z43 Z44 Z45 Z46 Z47 Z48 Z49 Z50 Z51 Z52

Rectangular and square shower trays with centre waste, dimension ≥ 1000 mm



Z53 Z54 Z55 Z56 Z57 Z58 Z59 Z60 Z61 Z62 Z63 Z64

BetteCorner baths and shower trays



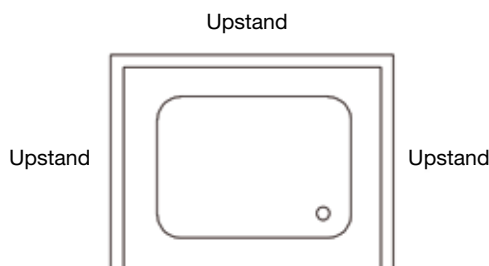
Z81 Z82 Z83

BetteCaro shower trays



Z91 Z92 Z93

Ordering Aid:



We reserve the right to make changes to the technical specifications

Bette GmbH & Co. KG

Heinrich-Bette-Straße 1
33129 Delbrück
Telefon +49 5250 511-0
Telefax +49 5250 511-130
info@bette.de
www.bette.de

United Kingdom + Ireland:

Bette GmbH & Co. KG - UK Branch

Clifford Mill
Clifford Chambers
Stratford-upon-Avon
Warwickshire
CV37 8HR
Telephone: + 44 844 800 0547
Facsimile: + 44 844 800 0548
E-mail: info@bette.co.uk